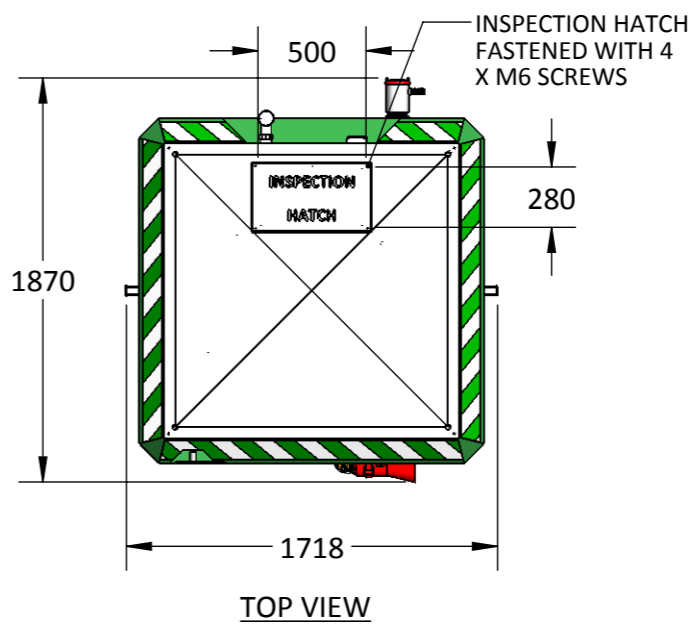
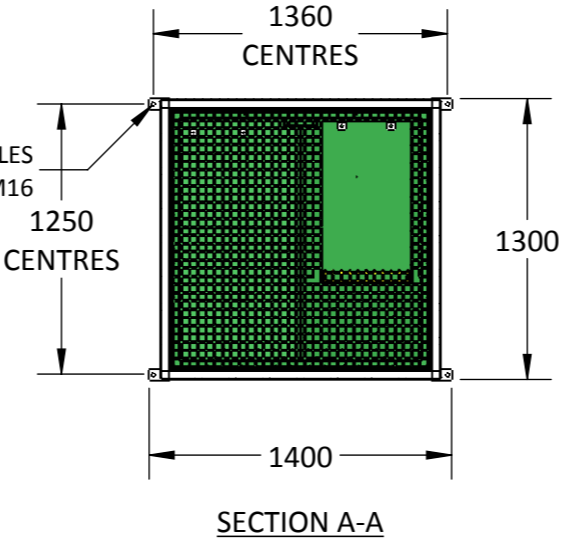


OPTIONAL EXTRAS (NOT SHOWN ON DRAWING)
 LOW TEMPERATURE ALARM
 LOW WATER ALARM
 SPRING LOADED DOORS
 STRIP CURTAINS
 WALL HEATER

TECHNICAL DETAILS
 INLET WATER SUPPLY: REC. 2 - 10 BAR
 FLOW RATE: 75 LPM
 INLET: 1" BSP or NPT
 OUTLET: 2" BSP or NPT
 WEIGHT: 550 - 600 KG

CLASSIFICATION
 ALL ELECTRICS SUITABLE FOR HAZARDOUS AREAS - ATEX CERTIFIED
 220 - 20v 1Ph 50Hz



REFERENCE ONLY

NAME	DATE	DIMENSIONS ARE IN MILLIMETRES UNLESS SPECIFIED OTHERWISE	TITLE: 2500 TANK SHOWER HAZARDOUS	REVISION	A
DRAWN: P.S	12/08/2014			REV DATE:	13/10/2014
PROPRIETARY AND CONFIDENTIAL THE INFORMATION CONTAINED IN THIS DRAWING IS THE SOLE PROPERTY OF SHOWERS & EYEBATHS SERVICES LTD. ANY REPRODUCTION IN PART OR AS A WHOLE WITHOUT THE WRITTEN PERMISSION OF Showers & Eyebaths services LTD IS PROHIBITED.		TOLERANCES: LINEAR: ALL DIMENSIONS ±5mm ANGULAR: ±0.5°	DWG NO. SE-GA-GFTS25-FP	A3	
DO NOT SCALE DRAWING			SCALE:1:35	SHEET 1 OF 1	

SHOWERS & EYEBATHS
 Showers & Eyebaths Services Ltd.
 Safety House, 23c Sandwash Close, Rainford
 Industrial Estate, Rainford, Lancashire, WA11 8LY U.K.
 Tel + 44 (0) 1744 889677 Fax +44 (0) 1744 885663
 e-mail: sales@safety-showers.com www.safety-showers.com

ISO9001
 WCS
 Certificate No. 6974