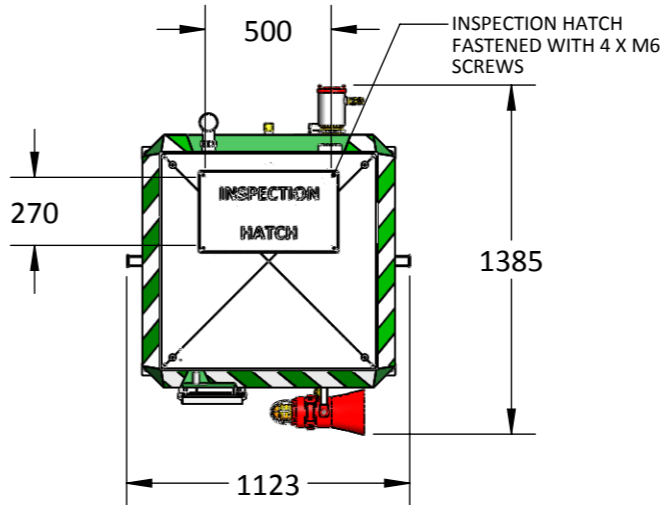
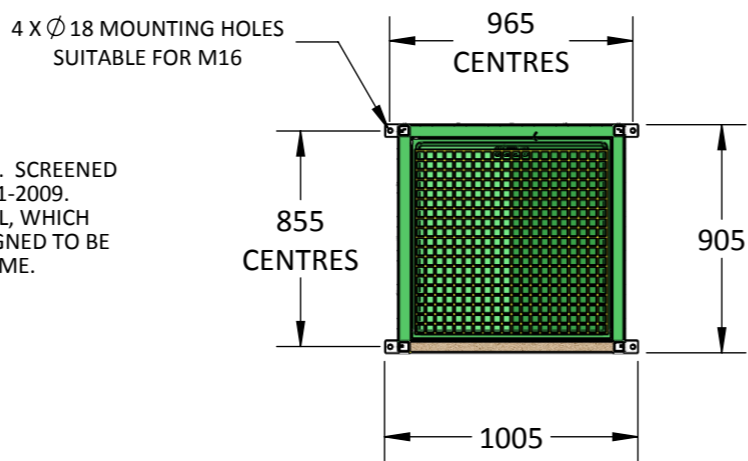


OPTIONAL EXTRAS (NOT SHOWN ON DRAWING)
 LOW TEMPERATURE ALARM
 LOW WATER ALARM
 PVC CURTAIN
 STRIP CURTAINS

KEY FEATURES
AVAILABLE IN GREEN, YELLOW OR WHITE.
 PRE-INSULATED, SEALED TANK TWIN BALL FLOAT VALVES FOR QUICK FILLING. SCREENED OVERFLOW & VENT FOR MINIMUM RISK OF LEGIONELLA. MEETS ANSI Z358.1-2009.
 UNIT MANUFACTURED FROM GLASS REINFORCED PLASTIC & STAINLESS STEEL, WHICH ARE CORROSION RESISTANT MATERIALS. SUITABLE FOR OUTSIDE USE. DESIGNED TO BE HIGHLY VISIBLE FOR EASE OF IDENTIFICATION & WORKS FIRST TIME EVERY TIME.

TECHNICAL DETAILS
 INLET WATER SUPPLY: REC. 2 - 10 BAR G
 FLOW RATE: 75 LPM
 INLET: 1" BSP or NPT
 OUTLET: 2" BSP or NPT
 WEIGHT: 150 - 250 KG

ALL ELECTRICS SUITABLE FOR HAZARDOUS AREAS - ATEX CERTIFIED



SECTION A-A

TOP VIEW

REFERENCE ONLY

	NAME	DATE	DIMENSIONS ARE IN MILLIMETRES UNLESS SPECIFIED OTHERWISE	TITLE: 350 TANK FED EYEBATH HAZARDOUS	REVISION	A
DRAWN:	P.S	25/09/2014			REV DATE:	03/12/2014
PROPRIETARY AND CONFIDENTIAL THE INFORMATION CONTAINED IN THIS DRAWING IS THE SOLE PROPERTY OF SHOWERS & EYEBATHS SERVICES LTD. ANY REPRODUCTION IN PART OR AS A WHOLE WITHOUT THE WRITTEN PERMISSION OF Showers & Eyebaths services LTD IS PROHIBITED.			TOLERANCES: LINEAR: ALL DIMENSIONS ±5mm ANGULAR: ±0.5°	DWG NO.	SE-GA-GFTEB-FP	A3 SHEET 1 OF 1
DO NOT SCALE DRAWING				SCALE:1:30	SHEET 1 OF 1	



SHOWERS & EYEBATHS
 Showers & Eyebaths Services Ltd.
 Safety House, 23c Sandwash Close, Rainford
 Industrial Estate, Rainford, Lancashire, WA11 8LY U.K.
 Tel + 44 (0) 1744 889677 Fax +44 (0) 1744 885663
 e-mail: sales@safety-showers.com www.safety-showers.com