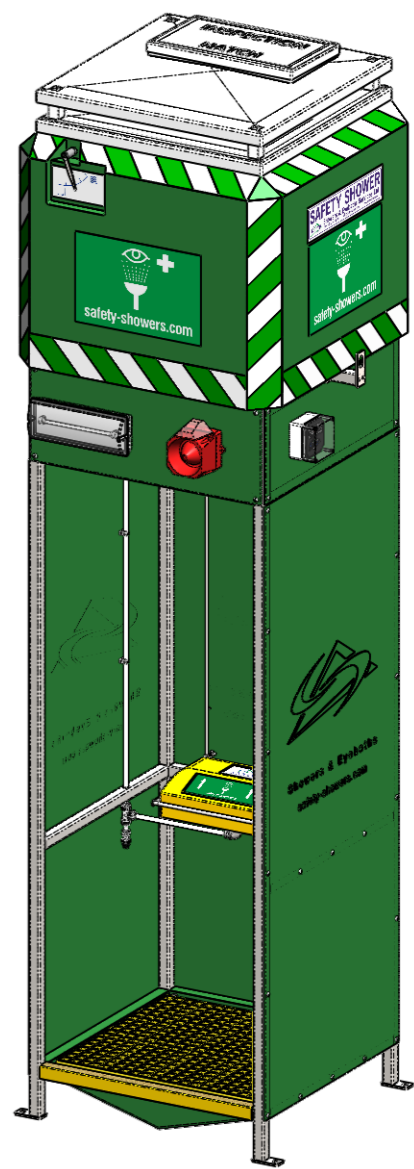


FRONT VIEW

RIGHT VIEW

REAR VIEW

LEFT VIEW - INTERNALS



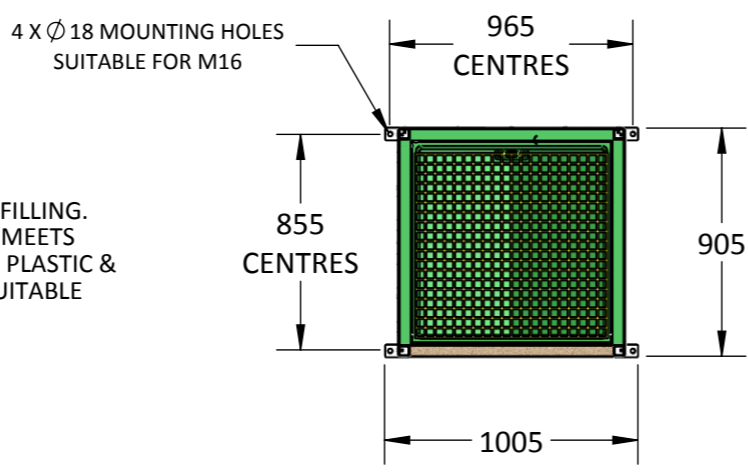
3D VIEW
SCALE 1 : 25

OPTIONAL EXTRAS (NOT SHOWN ON DRAWING)
PVC CURTAIN
STRIP CURTAINS

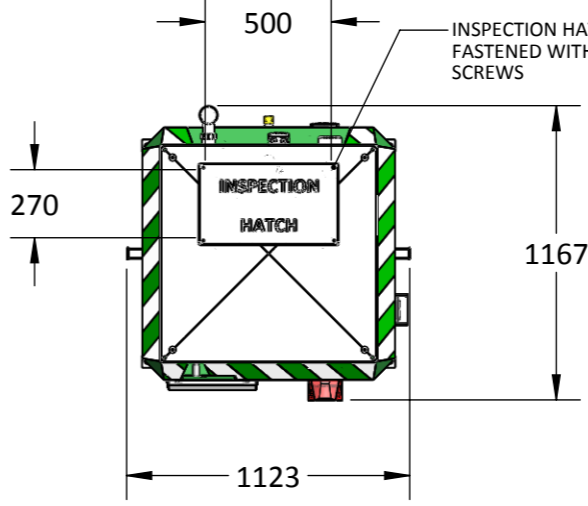
KEY FEATURES
AVAILABLE IN GREEN, YELLOW OR WHITE.
PRE-INSULATED, SEALED TANK TWIN BALL FLOAT VALVES FOR QUICK FILLING. SCREENED OVERFLOW & VENT FOR MINIMUM RISK OF LEGIONELLA. MEETS ANSI Z358.1-2009. UNIT MANUFACTURED FROM GLASS REINFORCED PLASTIC & STAINLESS STEEL, WHICH ARE CORROSION RESISTANT MATERIALS. SUITABLE FOR OUTSIDE USE. DESIGNED TO BE HIGHLY VISIBLE FOR EASE OF IDENTIFICATION & WORKS FIRST TIME EVERY TIME.

TECHNICAL DETAILS
INLET WATER SUPPLY: REC. 2 - 10 BAR G
FLOW RATE: 75 LPM
INLET: 1" BSP or NPT
OUTLET: 2" BSP or NPT
WEIGHT: 150 - 250 KG

CLASSIFICATION
ALL ELECTRICS SUITABLE FOR NON HAZARDOUS AREAS



SECTION A-A



TOP VIEW

REFERENCE ONLY

DRAWN:	NAME	DATE	DIMENSIONS ARE IN MILLIMETRES UNLESS SPECIFIED OTHERWISE	TITLE: 350 TANK FED EYEBATH NON HAZARDOUS	REVISION	A
	P.S	30/07/2014			REV DATE:	03/12/2014
PROPRIETARY AND CONFIDENTIAL THE INFORMATION CONTAINED IN THIS DRAWING IS THE SOLE PROPERTY OF SHOWERS & EYEBATHS SERVICES LTD. ANY REPRODUCTION IN PART OR AS A WHOLE WITHOUT THE WRITTEN PERMISSION OF Showers & Eyebaths services LTD IS PROHIBITED.			TOLERANCES: LINEAR: ALL DIMENSIONS ±5mm ANGULAR: ±0.5°	DWG NO.	SE-GA-GFTEB	A3
				DO NOT SCALE DRAWING	SCALE:1:30	SHEET 1 OF 1



SHOWERS & EYEBATHS
Showers & Eyebaths Services Ltd.
Safety House, 23c Sandwash Close, Rainford
Industrial Estate, Rainford, Lancashire, WA11 8LY U.K.
Tel + 44 (0) 1744 889677 Fax +44 (0) 1744 885663
e-mail: sales@safety-showers.com www.safety-showers.com