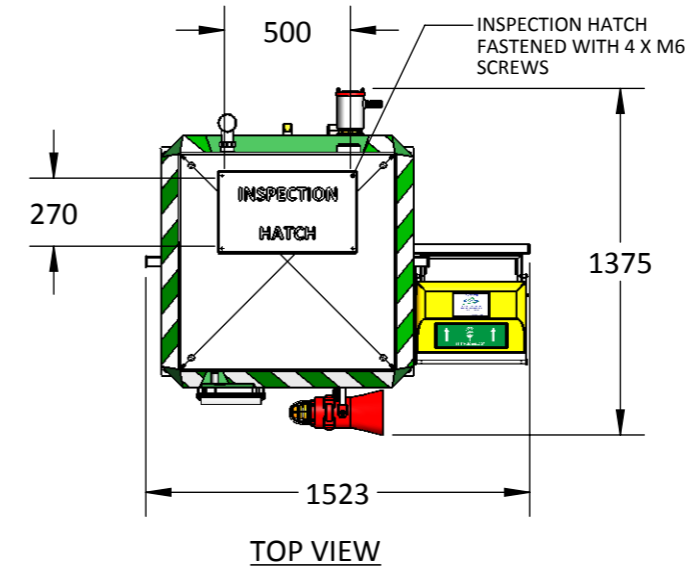
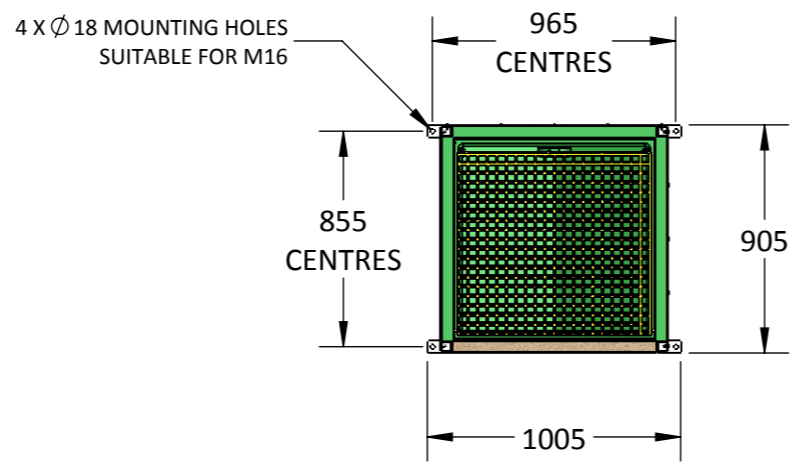


OPTIONAL EXTRAS (NOT SHOWN ON DRAWING)
 EYEBATH FITTED ON LHS
 LOW TEMPERATURE ALARM
 LOW WATER ALARM
 PVC CURTAIN
 STRIP CURTAINS

TECHNICAL DETAILS
 INLET WATER SUPPLY: REC. 2 - 10 BAR G
 FLOW RATE: 75 LPM
 INLET: 1" BSP or NPT
 WEIGHT: 150 - 250 KG

CLASSIFICATION
 ALL ELECTRICS SUITABLE FOR HAZARDOUS AREAS - ATEX CERTIFIED



SECTION A-A

TOP VIEW

REFERENCE ONLY

DRAWN: P.S	NAME	DATE	DIMENSIONS ARE IN MILLIMETRES UNLESS SPECIFIED OTHERWISE	TITLE: 350 TANK SHOWER HAZARDOUS	REVISION	A
		12/08/2014			REV DATE:	15/10/2014
PROPRIETARY AND CONFIDENTIAL THE INFORMATION CONTAINED IN THIS DRAWING IS THE SOLE PROPERTY OF SHOWERS & EYEBATHS SERVICES LTD. ANY REPRODUCTION IN PART OR AS A WHOLE WITHOUT THE WRITTEN PERMISSION OF Showers & Eyebaths services LTD IS PROHIBITED.			TOLERANCES: LINEAR: ALL DIMENSIONS ±5mm ANGULAR: ±0.5°	DWG NO. SE-GA-GFTS3-FP	A3	SHOWERS & EYEBATHS Showers & Eyebaths Services Ltd. Safety House, 23c Sandwash Close, Rainford Industrial Estate, Rainford, Lancashire, WA11 8LY U.K. Tel + 44 (0) 1744 889677 Fax +44 (0) 1744 885663 e-mail: sales@safety-showers.com www.safety-showers.com
DO NOT SCALE DRAWING		SCALE:1:30	SHEET 1 OF 1			

