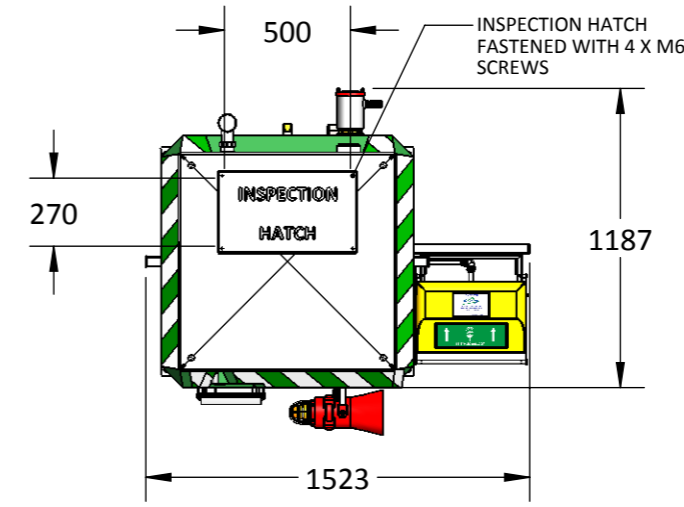
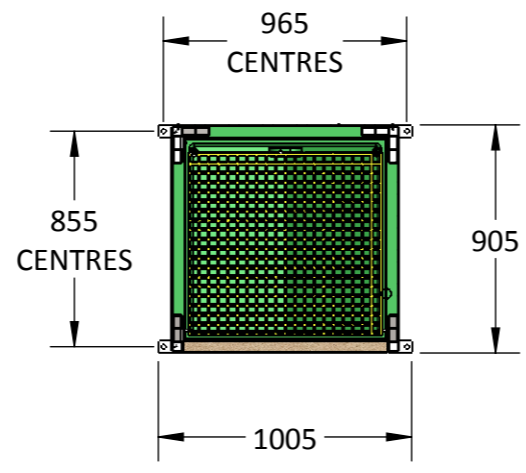


OPTIONAL EXTRAS (NOT SHOWN ON DRAWING)
 EYEBATH FITTED ON LHS
 LOW TEMPERATURE ALARM
 LOW WATER ALARM
 PVC CURTAIN
 STRIP CURTAINS

TECHNICAL DETAILS
 INLET WATER SUPPLY: REC. 2 - 10 BAR G
 FLOW RATE: 75 LPM
 INLET: 1" BSP or NPT
 OUTLET: 2" BSP or NPT
 WEIGHT: 150 - 250 KG

THIS UNIT HAS BEEN TESTED FOR HORIZONTAL LOAD 0.61G & VERTICAL LOAD 0.44G.

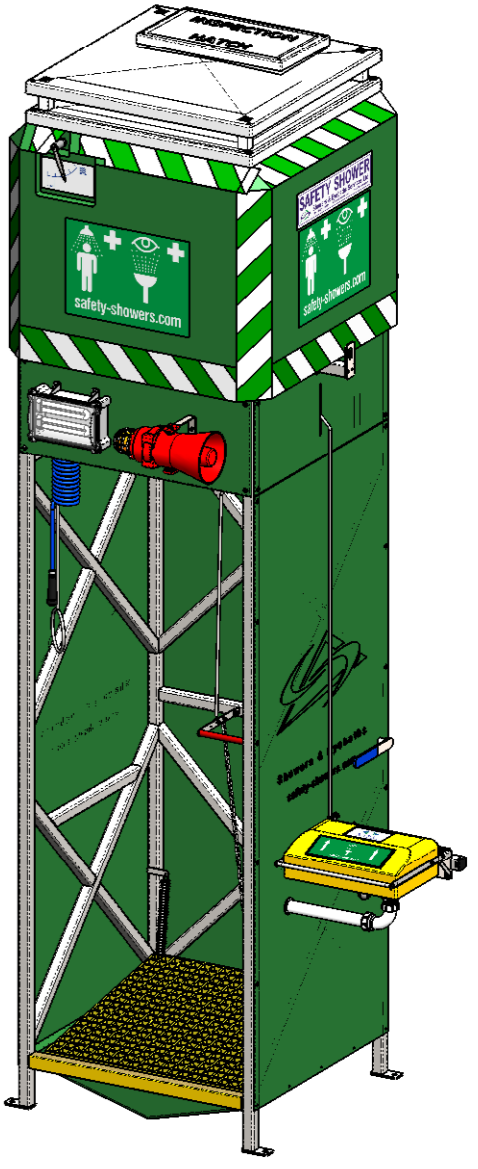


SECTION A-A

TOP VIEW

REFERENCE ONLY

NAME	DATE	DIMENSIONS ARE IN MILLIMETRES UNLESS SPECIFIED OTHERWISE	TITLE: 350 TANK SHOWER MARINE	REVISION	A
DRAWN: P.S	19/09/2014			REV DATE:	15/10/2014
PROPRIETARY AND CONFIDENTIAL THE INFORMATION CONTAINED IN THIS DRAWING IS THE SOLE PROPERTY OF SHOWERS & EYEBATHS SERVICES LTD. ANY REPRODUCTION IN PART OR AS A WHOLE WITHOUT THE WRITTEN PERMISSION OF Showers & Eyebaths services LTD IS PROHIBITED.		TOLERANCES: LINEAR: ALL DIMENSIONS ±5mm ANGULAR: ±0.5°	DWG NO. SE-GA-GFTS3-MA	A3	
			DO NOT SCALE DRAWING	SCALE:1:30	SHEET 1 OF 1



3D VIEW SCALE 1 : 25



SHOWERS & EYEBATHS
 Showers & Eyebaths Services Ltd.
 Safety House, 23c Sandwash Close, Rainford
 Industrial Estate, Rainford, Lancashire, WA11 8LY U.K.
 Tel + 44 (0) 1744 889677 Fax +44 (0) 1744 885663
 e-mail: sales@safety-showers.com www.safety-showers.com

