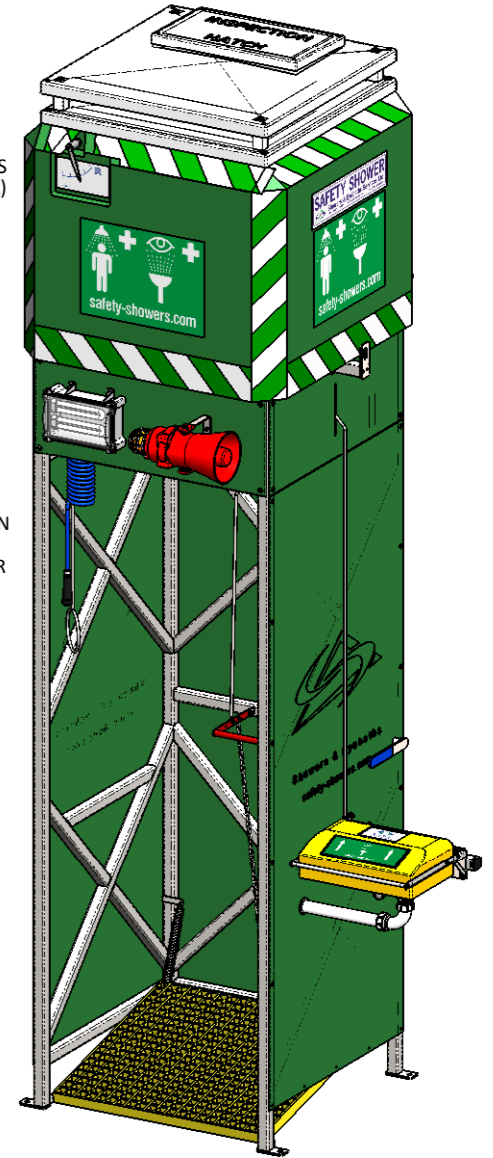
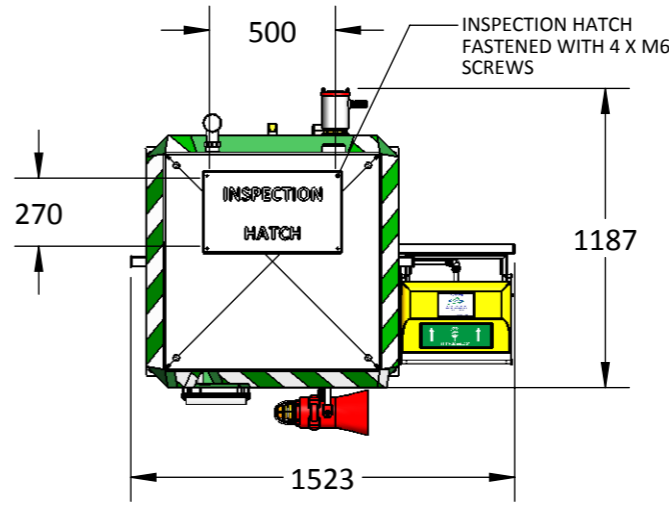
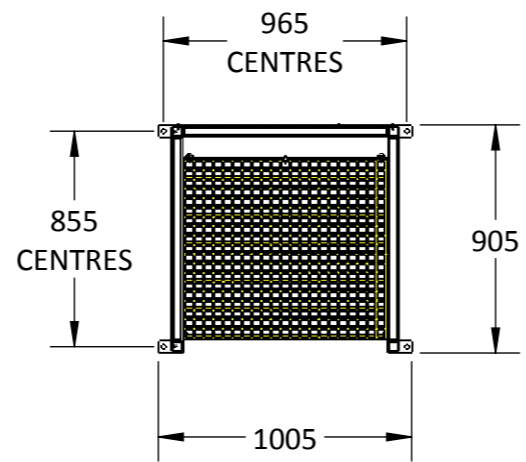


OPTIONAL EXTRAS (NOT SHOWN ON DRAWING)
 EYEBATH FITTED ON LHS
 LOW TEMPERATURE ALARM
 LOW WATER ALARM
 PVC CURTAIN
 STRIP CURTAINS
 WASTE WATER COLLECTION SUMP

TECHNICAL DETAILS
 INLET WATER SUPPLY: REC. 2 - 10 BAR G
 FLOW RATE: 75 LPM
 INLET: 1" BSP or NPT
 WEIGHT: 150 - 250 KG

THIS UNIT HAS BEEN TESTED FOR HORIZONTAL LOAD 0.61G & VERTICAL LOAD 0.44G.



REFERENCE ONLY

	NAME	DATE	DIMENSIONS ARE IN MILLIMETRES UNLESS SPECIFIED OTHERWISE	TITLE: 350 TANK SHOWER MARINE WITHOUT SUMP	REVISION A	 Certificate No. 6974
DRAWN:	P.S	19/09/2014				
PROPRIETARY AND CONFIDENTIAL THE INFORMATION CONTAINED IN THIS DRAWING IS THE SOLE PROPERTY OF SHOWERS & EYEBATHS SERVICES LTD. ANY REPRODUCTION IN PART OR AS A WHOLE WITHOUT THE WRITTEN PERMISSION OF Showers & Eyebaths services LTD IS PROHIBITED.			TOLERANCES: LINEAR: ALL DIMENSIONS ±5mm ANGULAR: ±0.5°	DWG NO. SE-GA-GFTS3-MA-NS	A3	SHOWERS & EYEBATHS Showers & Eyebaths Services Ltd. Safety House, 23c Sandwash Close, Rainford Industrial Estate, Rainford, Lancashire, WA11 8LY U.K. Tel + 44 (0) 1744 889677 Fax +44 (0) 1744 885663 e-mail: sales@safety-showers.com www.safety-showers.com
DO NOT SCALE DRAWING		SCALE:1:30	SHEET 1 OF 1			