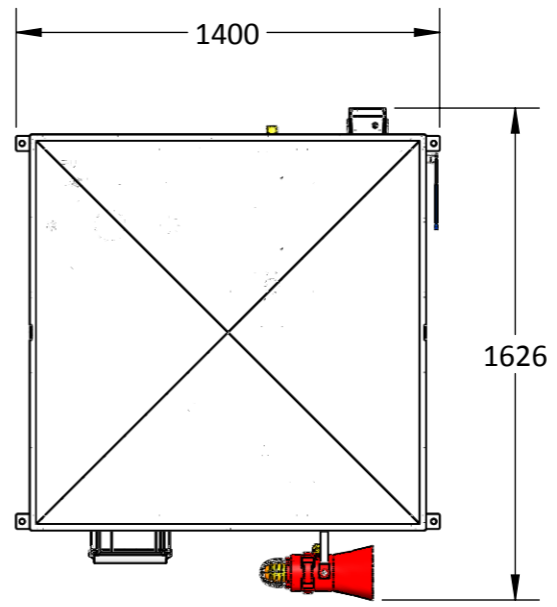
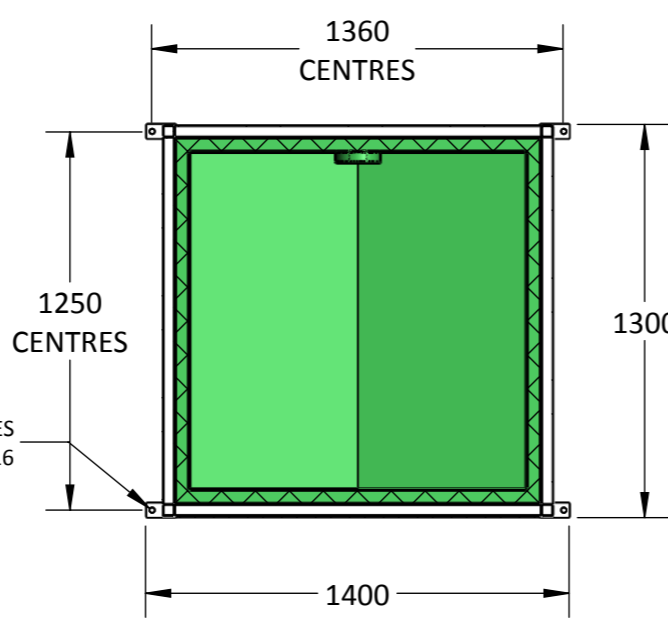


- OTHER OPTIONAL EXTRAS AVAILABLE (NOT SHOWN ON DRAWING)**
- BRASS PRESSURE REDUCING VALVE
 - FLEXIBLE HAND HELD EYEWASH
 - HEAVY DUTY STRIP CURTAINS
 - INSULATED PANNELLING
 - INTERNAL WALL HEATER
 - SCALD VALVE
 - SPRING LOADED DOORS
 - TRACE HEATING FROST PROTECTION ON PIPEWORK

TECHNICAL DETAILS
 WATER SUPPLY: REC 2 - 10 BAR
 FLOW RATE: 75 LPM - SHOWER ROSE
 INLET: 1" BSP or NPT
 OUTLET: 2" BSP or NPT
 WEIGHT: APPROX. 250 - 300kg

CLASSIFICATION
 ALL ELECTRICS SUITABLE FOR HAZARDOUS AREAS - ATEX CERTIFIED



REFERENCE ONLY

	NAME	DATE	DIMENSIONS ARE IN MILLIMETRES UNLESS SPECIFIED OTHERWISE	TITLE: GES1P - LARGE CUBICLE SHOWER - HAZARDOUS	REVISION	A
DRAWN:	P.S	08/08/2014			REV DATE:	16/10/2014
PROPRIETARY AND CONFIDENTIAL THE INFORMATION CONTAINED IN THIS DRAWING IS THE SOLE PROPERTY OF SHOWERS & EYEBATHS SERVICES LTD. ANY REPRODUCTION IN PART OR AS A WHOLE WITHOUT THE WRITTEN PERMISSION OF Showers & Eyebaths services LTD IS PROHIBITED.			TOLERANCES: LINEAR: ALL DIMENSIONS ±5mm ANGULAR: ±0.5°	DWG NO.	SE-GA-GES1P-FP	A3
				DO NOT SCALE DRAWING	SCALE:1:25	SHEET 1 OF 1

SHOWERS & EYEBATHS
 Showers & Eyebaths Services Ltd.
 Safety House, 23c Sandwash Close, Rainford
 Industrial Estate, Rainford, Lancashire, WA11 8LY U.K.
 Tel + 44 (0) 1744 889677 Fax +44 (0) 1744 885663
 e-mail: sales@safety-showers.com www.safety-showers.com