

3D VIEW

OTHER OPTIONAL EXTRAS AVAILABLE (NOT SHOWN ON DRAWING)

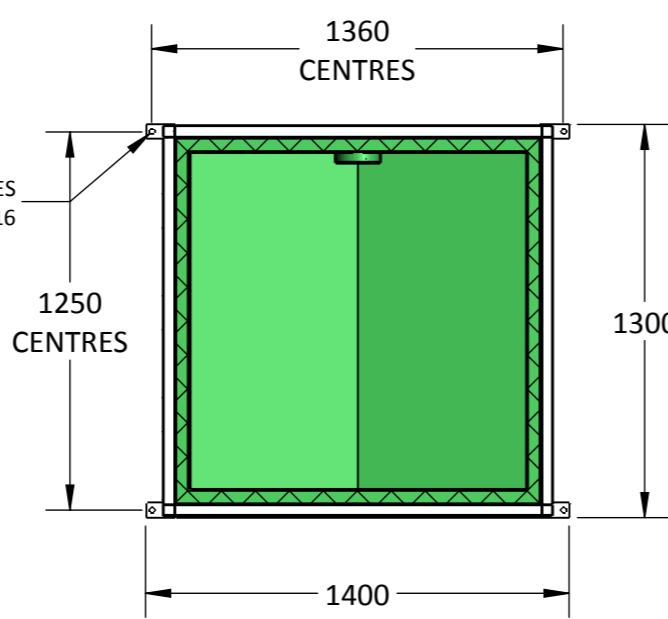
- BRASS PRESSURE REDUCING VALVE
- FLEXIBLE HAND HELD EYEWASH
- HEAVY DUTY STRIP CURTAINS
- INSULATED PANNELLING
- INTERNAL WALL HEATER
- SCALD VALVE
- SPRING LOADED DOORS

TECHNICAL DETAILS

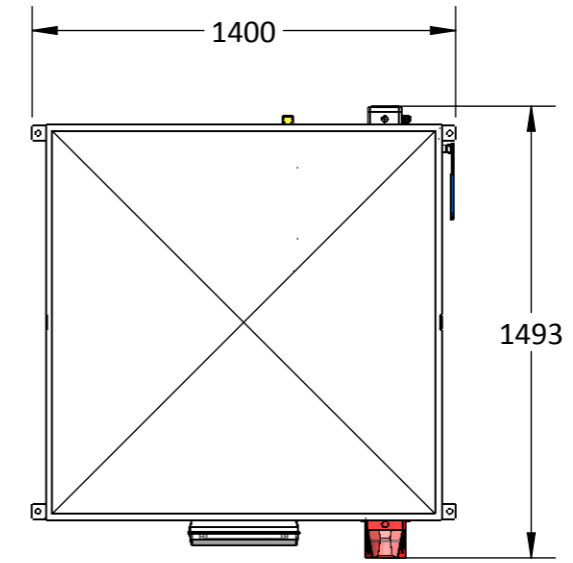
WATER SUPPLY: REC 2 - 10 BAR
 FLOW RATE: 75 LPM - SHOWER ROSE
 INLET: 1" BSP or NPT
 OUTLET: 2" BSP or NPT
 WEIGHT: APPROX. 250 - 300Kg

CLASSIFICATION

ALL ELECTRICS SUITABLE FOR NON HAZARDOUS AREAS



SECTION A-A



TOP VIEW

NAME	DATE	DIMENSIONS ARE IN MILLIMETRES UNLESS SPECIFIED OTHERWISE	TITLE: GES1P - LARGE CUBICLE SHOWER - NON HAZARDOUS	REVISION	A
DRAWN: P.S	12/08/2014			REV DATE:	16/10/2014

PROPRIETARY AND CONFIDENTIAL THE INFORMATION CONTAINED IN THIS DRAWING IS THE SOLE PROPERTY OF SHOWERS & EYEBATHS SERVICES LTD. ANY REPRODUCTION IN PART OR AS A WHOLE WITHOUT THE WRITTEN PERMISSION OF Showers & Eyebaths services LTD IS PROHIBITED.		TOLERANCES: LINEAR: ALL DIMENSIONS ±5mm ANGULAR: ±0.5°	DWG NO. SE-GA-GES1P	A3
---	--	--	----------------------------	-----------

REFERENCE ONLY

SHOWERS & EYEBATHS
 Showers & Eyebaths Services Ltd.
 Safety House, 23c Sandwash Close, Rainford
 Industrial Estate, Rainford, Lancashire, WA11 8LY U.K.
 Tel + 44 (0) 1744 889677 Fax +44 (0) 1744 885663
 e-mail: sales@safety-showers.com www.safety-showers.com

ISO9001
 WCS
 UKAS
 Certificate No. 6974