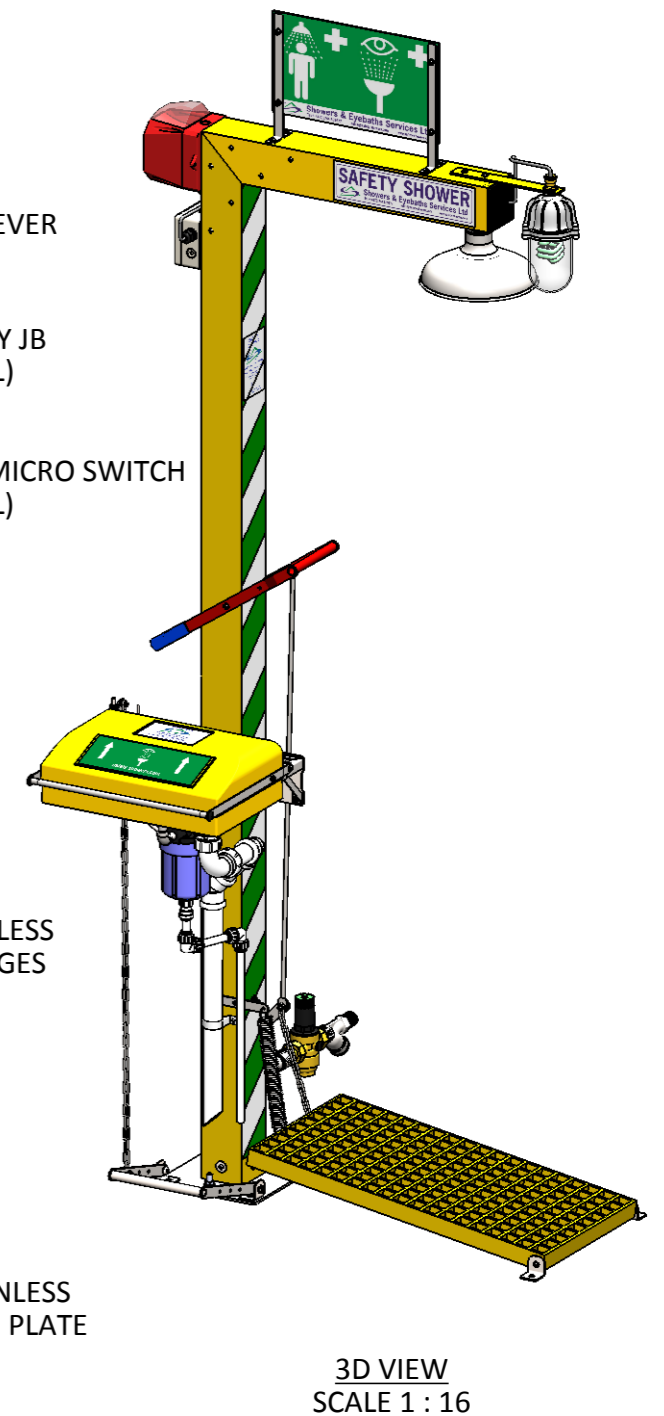
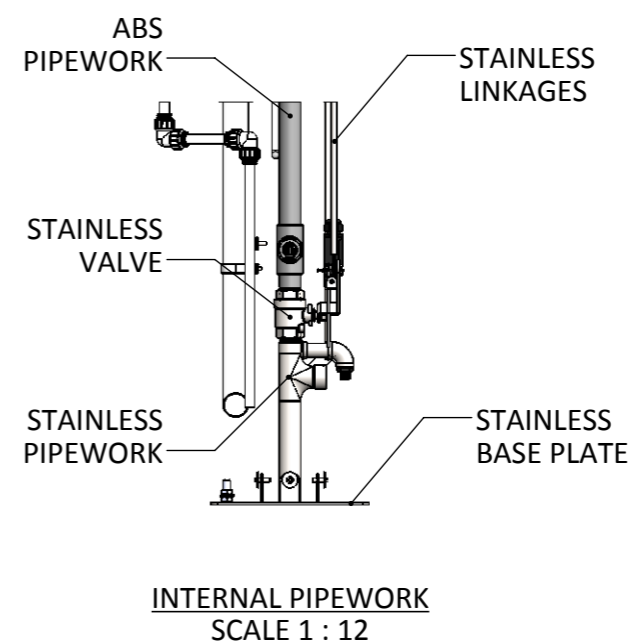
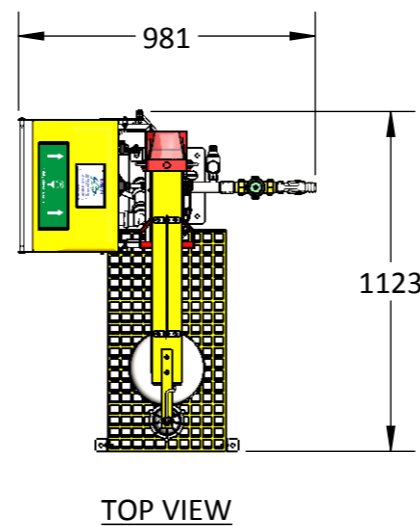
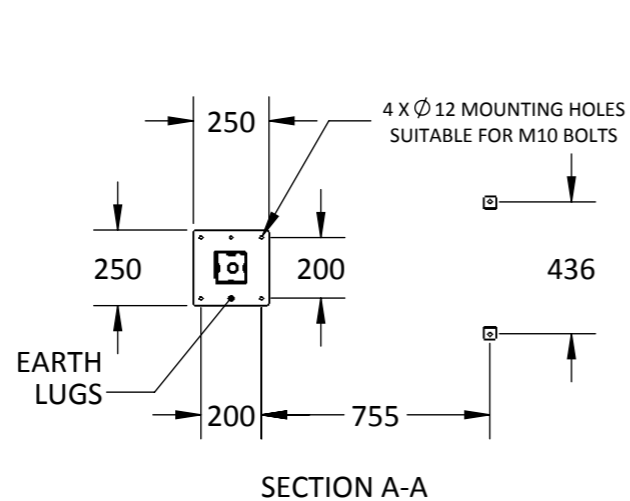


**OPTIONAL EXTRAS (NOT SHOWN ON DRAWING)**  
 SUN SHELTER  
 TRACE HEATING (FROST PROTECTION FOR EXTREME TEMPERATURES)

**KEY FEATURES**  
 MANUFACTURED FROM GRP YELLOW OUTER CASE. ABS PIPEWORK & STAINLESS STEEL WHICH ARE CORROSION RESISTANT MATERIALS. GIVING SUPERIOR STRENGTH; A LONG LIFE, AND SUITABILITY FOR OUTSIDE USE. DESIGNED TO BE HIGHLY VISIBLE FOR EASE OF IDENTIFICATION & WORK FIRST TIME, EVERY TIME. THIS UNIT IS SELF DRAINING & THEREFORE CAN NOT OVERHEAT OR FREEZE. IDEAL FOR ANY ENVIRONMENT. MANUFACTURED IN ACCORDANCE TO ANSI Z358.1 - 2009.

**TECHNICAL DETAILS**  
 WATER SUPPLY: 1 - 7 BAR (RECOMMEND 2 BAR)  
 FLOW RATE: 75 LPM  
 INLET: 1" BSP  
 WEIGHT: 35-45 KG

ALL ELECTRICS SUITABLE FOR NON HAZARDOUS AREAS



**REFERENCE ONLY**

|  |      |            |  |         |                        |            |           |
|--|------|------------|--|---------|------------------------|------------|-----------|
|  | NAME | DATE       | DIMENSIONS ARE IN MILLIMETRES UNLESS SPECIFIED OTHERWISE     | TITLE:  | GFS1F MAINS FED SHOWER | REVISION   | B         |
| DRAWN:   | P.S  | 12/08/2014 |  |         |                        |            | REV DATE: |
| PROPRIETARY AND CONFIDENTIAL<br>THE INFORMATION CONTAINED IN THIS DRAWING IS THE SOLE PROPERTY OF SHOWERS & EYEBATHS SERVICES LTD. ANY REPRODUCTION IN PART OR AS A WHOLE WITHOUT THE WRITTEN PERMISSION OF Showers & Eyebaths services LTD IS PROHIBITED. |      |            | TOLERANCES:<br>LINEAR: ALL DIMENSIONS ±5mm<br>ANGULAR: ±0.5° | DWG NO. | SE-GA-GFS1             |            | A3        |
|  |      |            |  |         | DO NOT SCALE DRAWING   | SCALE:1:25 |           |



SHOWERS & EYEBATHS  
 Showers & Eyebaths Services Ltd.  
 Safety House, 23c Sandwash Close, Rainford  
 Industrial Estate, Rainford, Lancashire, WA11 8LY U.K.  
 Tel + 44 (0) 1744 889677 Fax +44 (0) 1744 885663  
 e-mail: sales@safety-showers.com www.safety-showers.com