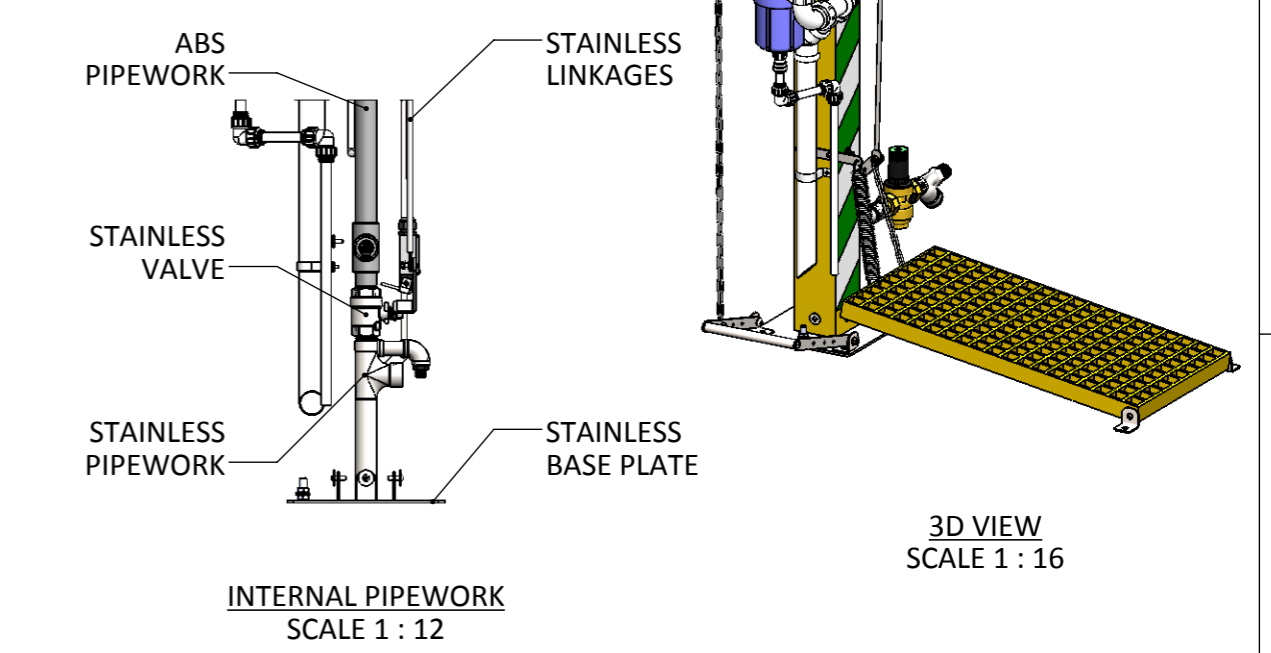
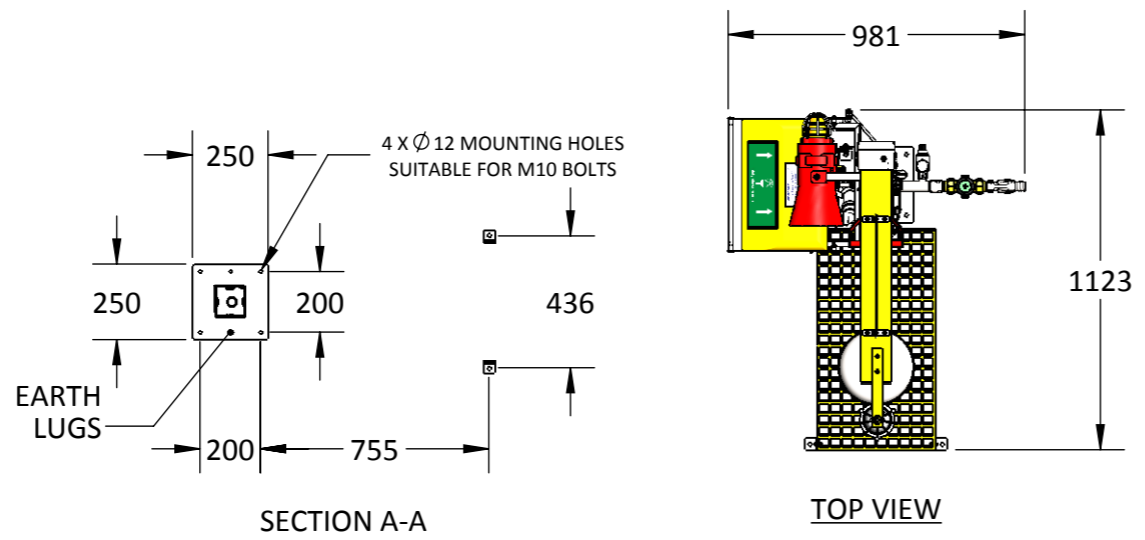


**KEY FEATURES**  
 MANUFACTURED FROM GRP YELLOW OUTER CASE. ABS PIPEWORK & STAINLESS STEEL WHICH ARE CORROSION RESISTANT MATERIALS. GIVING SUPERIOR STRENGTH; A LONG LIFE, AND SUITABILITY FOR OUTSIDE USE. DESIGNED TO BE HIGHLY VISIBLE FOR EASE OF IDENTIFICATION & WORK FIRST TIME, EVERY TIME. THIS UNIT IS SELF DRAINING & THEREFORE CAN NOT OVERHEAT OR FREEZE. IDEAL FOR ANY ENVIRONMENT. MANUFACTURED IN ACCORDANCE TO ANSI Z358.1 - 2009.

**TECHNICAL DETAILS**  
 WATER SUPPLY: 1 - 7 BAR (RECOMMEND 2 BAR)  
 FLOW RATE: 75 LPM  
 INLET: 1" BSP  
 WEIGHT: 35-45 KG

**CLASSIFICATION**  
 ALL ELECTRICS ATEX CERTIFIED SUITABLE FOR HAZARDOUS AREAS



**REFERENCE ONLY**

NAME	DATE	DIMENSIONS ARE IN MILLIMETRES UNLESS SPECIFIED OTHERWISE	TITLE: GFS1F MAINS FED SHOWER HAZARDOUS TRACE HEATED	REVISION	A	
DRAWN: P.S	15/01/2015			REV DATE:	09/04/2015	
PROPRIETARY AND CONFIDENTIAL THE INFORMATION CONTAINED IN THIS DRAWING IS THE SOLE PROPERTY OF SHOWERS & EYEBATHS SERVICES LTD. ANY REPRODUCTION IN PART OR AS A WHOLE WITHOUT THE WRITTEN PERMISSION OF Showers & Eyebaths services LTD IS PROHIBITED.		TOLERANCES: LINEAR: ALL DIMENSIONS ±5mm ANGULAR: ±0.5°	DWG NO. SE-GA-GFS1-FP-TH	A3		SHOWERS & EYEBATHS Showers & Eyebaths Services Ltd. Safety House, 23c Sandwash Close, Rainford Industrial Estate, Rainford, Lancashire, WA11 8LY U.K. Tel + 44 (0) 1744 889677 Fax +44 (0) 1744 885663 e-mail: sales@safety-showers.com www.safety-showers.com
			DO NOT SCALE DRAWING	SCALE:1:25	SHEET 1 OF 1	