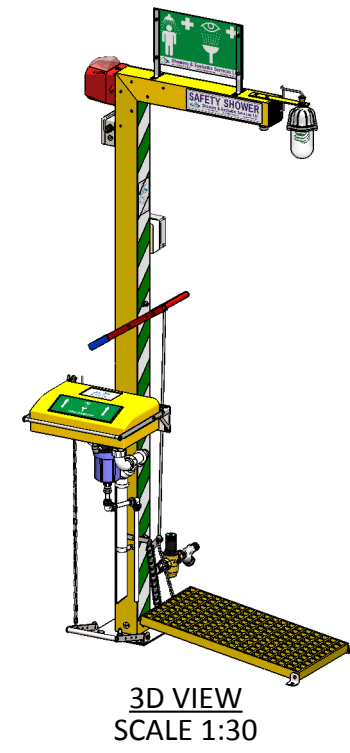
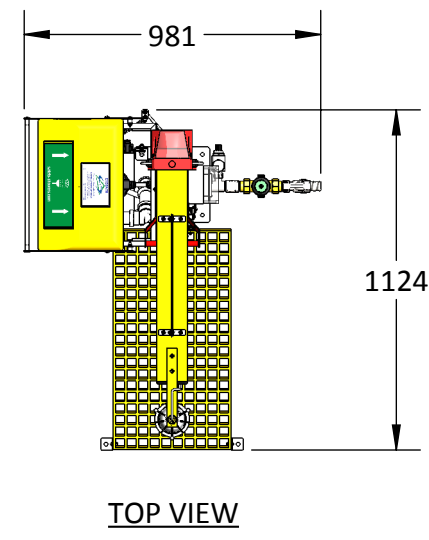
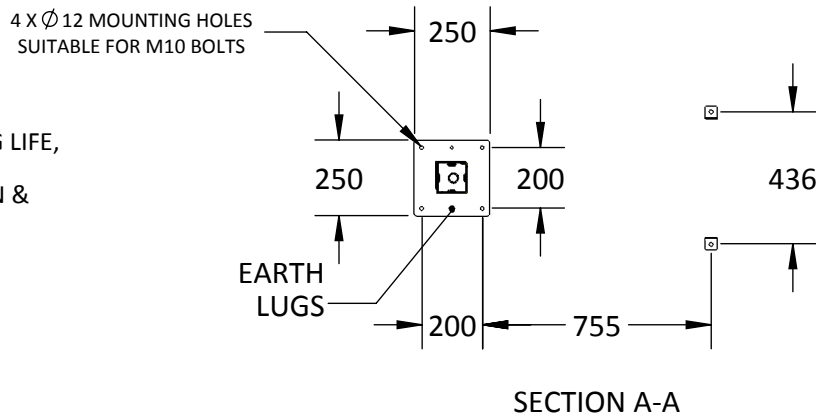


KEY FEATURES
 MANUFACTURED FROM GRP YELLOW OUTER CASE.
 ABS PIPEWORK & STAINLESS STEEL WHICH ARE CORROSION RESISTANT MATERIALS. GIVING SUPERIOR STRENGTH; A LONG LIFE, AND SUITABILITY FOR OUTSIDE USE.
 DESIGNED TO BE HIGHLY VISIBLE FOR EASE OF IDENTIFICATION & WORK FIRST TIME, EVERY TIME.
 MANUFACTURED IN ACCORDANCE TO ANSI Z358.1 - 2009.

TECHNICAL DETAILS
 WATER SUPPLY: 1 - 7 BAR (RECOMMEND 2 BAR)
 FLOW RATE: 75 LPM
 INLET: 1" BSP
 WEIGHT: 35-45 KG

ALL ELECTRICS SUITABLE FOR NON HAZARDOUS AREAS.
 220 - 240V 1PH 50HZ (AS STANDARD).



REFERENCE ONLY

	NAME	DATE	DIMENSIONS ARE IN MILLIMETRES UNLESS SPECIFIED OTHERWISE	TITLE:	GFS3H - TRACE HEATED MAINS FED SHOWER	REVISION	A
DRAWN:	P.S	12/08/2014					REV DATE:
PROPRIETARY AND CONFIDENTIAL THE INFORMATION CONTAINED IN THIS DRAWING IS THE SOLE PROPERTY OF SHOWERS & EYEBATHS SERVICES LTD. ANY REPRODUCTION IN PART OR AS A WHOLE WITHOUT THE WRITTEN PERMISSION OF Showers & Eyebaths services LTD IS PROHIBITED.			TOLERANCES: LINEAR: ALL DIMENSIONS ±5mm ANGULAR: ±0.5°	DWG NO.	SE-GA-GFS3-TH		A3
					DO NOT SCALE DRAWING	SCALE:1:25	SHEET 1 OF 1

SHOWERS & EYEBATHS
 Showers & Eyebaths Services Ltd.
 Safety House, 23c Sandwash Close, Rainford
 Industrial Estate, Rainford, Lancashire, WA11 8LY U.K.
 Tel + 44 (0) 1744 889677 Fax +44 (0) 1744 885663
 e-mail: sales@safety-showers.com www.safety-showers.com