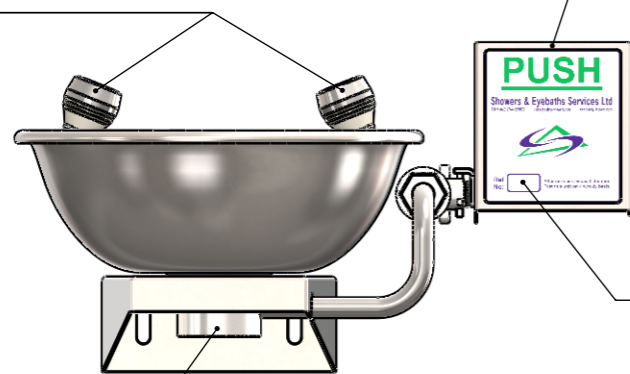


TWIN NOZZLES (DUST CAPS OMITTED FOR CLARITY)

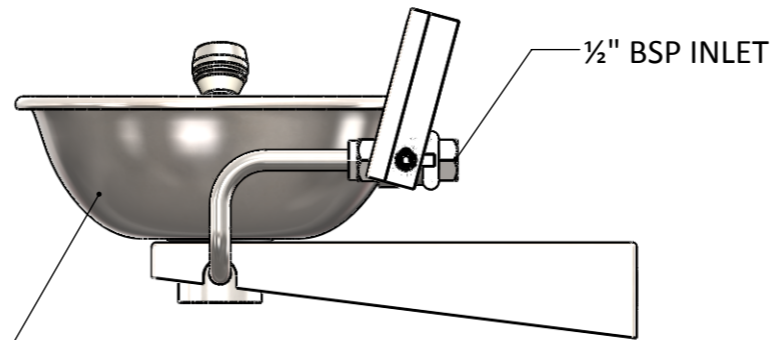


PUSH PLATE EYEBATH OPERATION



TAG NUMBER

STAINLESS DRAIN BOWL

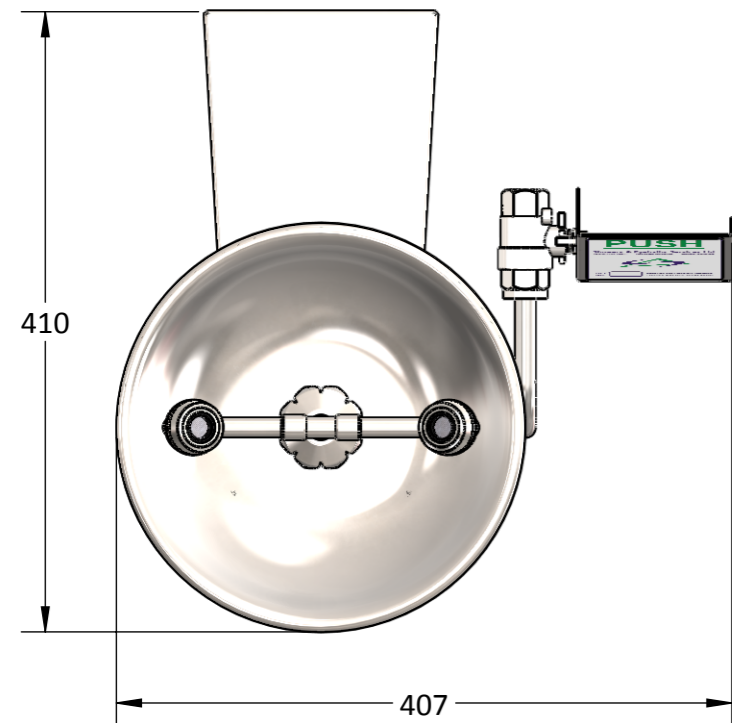


1 1/2" BSP OUTLET

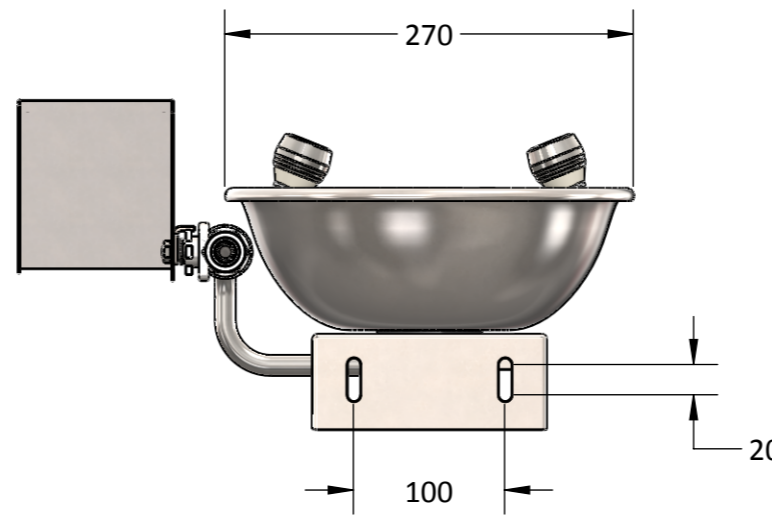
FRONT VIEW

SIDE VIEW

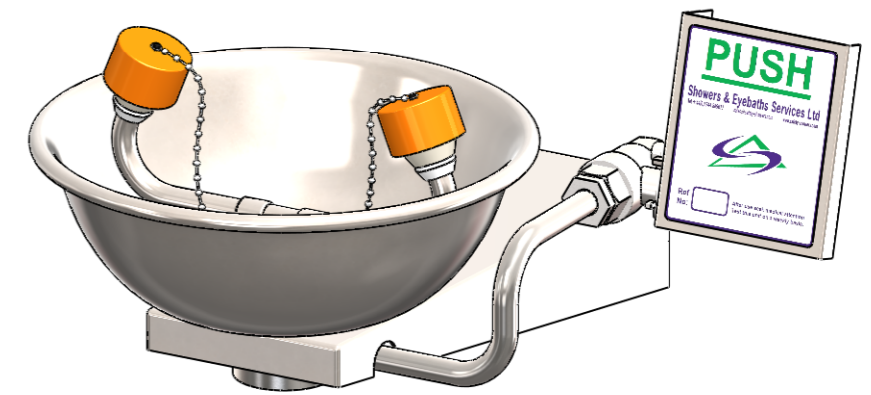
OPTIONAL EXTRAS (NOT SHOWN ON DRAWING)
 ALARM & SIREN
 FOOT TREADLE
 PEDESTAL
 PRESSURE REGULATING VALVE
 REMOTE ALARMS
 SCALD VALVE



TOP VIEW



REAR VIEW



3D VIEW
 SCALE 1 : 4

REFERENCE ONLY

	NAME	DATE	DIMENSIONS ARE IN MILLIMETRES UNLESS SPECIFIED OTHERWISE	TITLE: UNHEATED WALL MOUNTED EMERGENCY EYE/FACEWASH FOUNTAIN.	REVISION
DRAWN:	P.S	12/08/2014			REV DATE:
PROPRIETARY AND CONFIDENTIAL THE INFORMATION CONTAINED IN THIS DRAWING IS THE SOLE PROPERTY OF SHOWERS & EYEBATHS SERVICES LTD. ANY REPRODUCTION IN PART OR AS A WHOLE WITHOUT THE WRITTEN PERMISSION OF Showers & Eyebaths services LTD IS PROHIBITED.			TOLERANCES: LINEAR: ALL DIMENSIONS ±5mm ANGULAR: ±0.5°	DWG NO. SE-GA-S300	A3
					DO NOT SCALE DRAWING

SHOWERS & EYEBATHS
 Showers & Eyebaths Services Ltd.
 Safety House, 23c Sandwash Close, Rainford
 Industrial Estate, Rainford, Lancashire, WA11 8LY U.K.
 Tel + 44 (0) 1744 889677 Fax +44 (0) 1744 885663
 e-mail: sales@safety-showers.com www.safety-showers.com

Certificate No. 6974