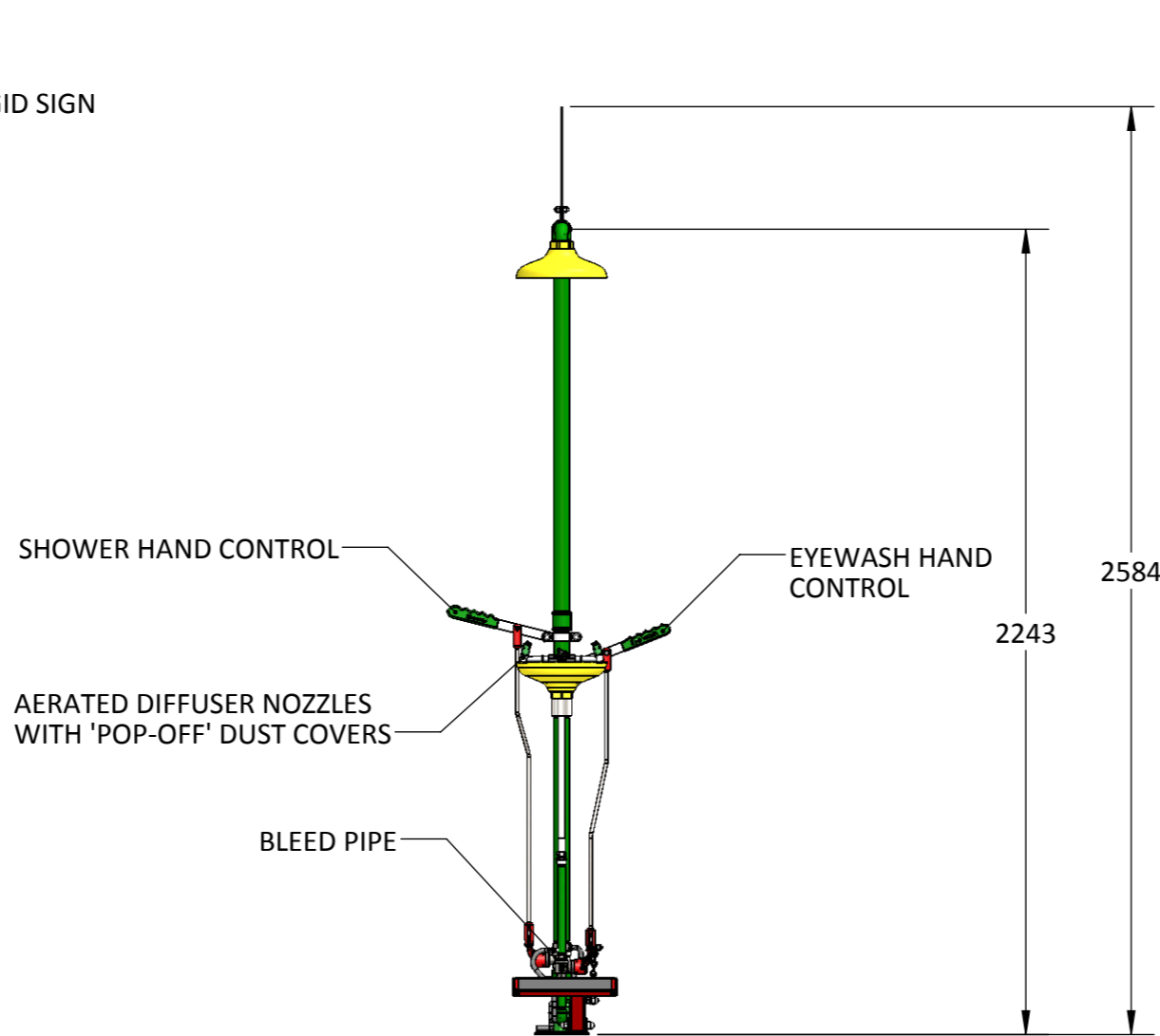
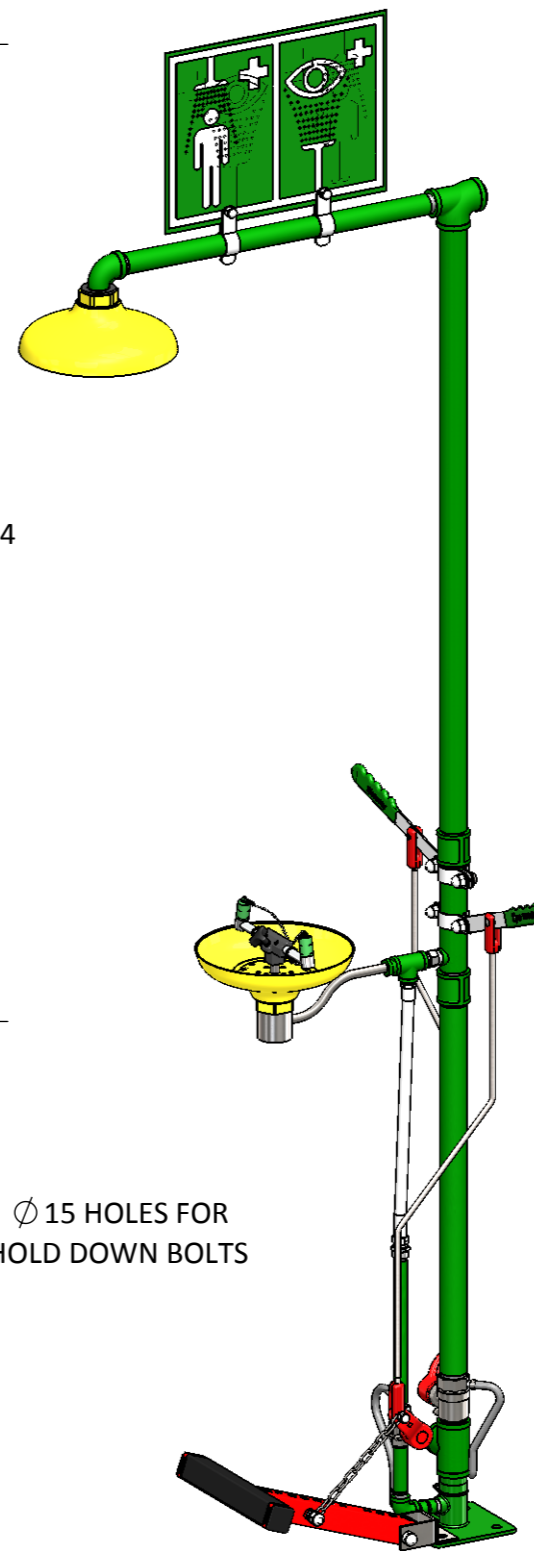


SIDE VIEW - RIGHT



FRONT VIEW



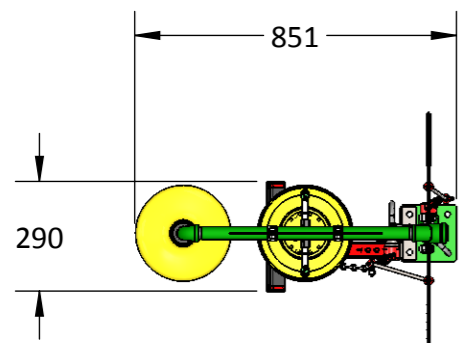
3D VIEW
SCALE 1 : 12

GALVANISED UNITS ARE COATED AS STANDARD IN ACCORDANCE WITH THE FOLLOWING METHOD:

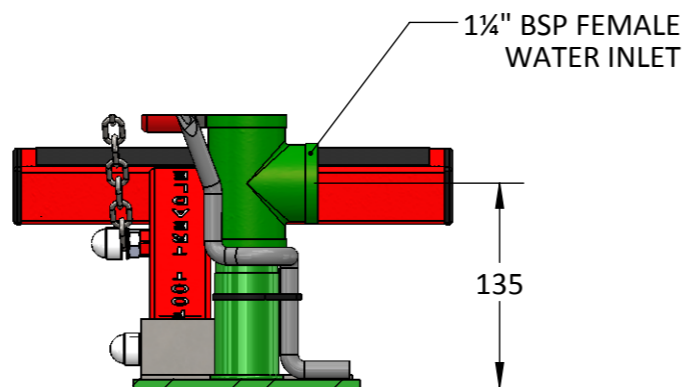
1. ALL SHARP EDGES REMOVED
2. SURFACES TREATED WITH 'T' WASH
3. POWDER COATED USING HMG ARCHITECTURAL POLYESTER 827 SERIES COATING & HEATED

(NOTE THE POWDER CONTAINS AN ANTI-GASSING AGENT TO PREVENT PAINT BURST WHEN PASSING THROUGH THE OVEN HEATING PROCESS TO ENSURE EXCELLENT SURFACE FINISH).

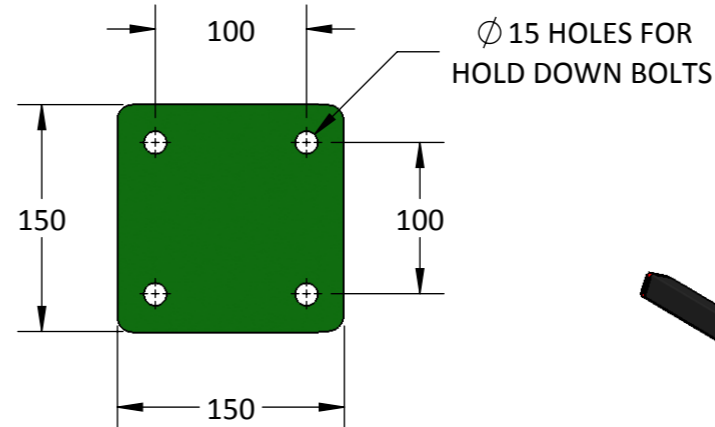
STANDARD FINISH COLOUR RAL 6029 GLOSS.



PLAN VIEW



SECTION A-A
SCALE 1 : 5



BASEPLATE
SCALE 1 : 5

REFERENCE ONLY

	NAME	DATE	DIMENSIONS ARE IN MILLIMETRES UNLESS SPECIFIED OTHERWISE	TITLE: SD370 - OUTDOOR SELF-DRAINING EMERGENCY SAFETY SHOWER WITH EYE/FACEWASH FOUNTAIN.	REVISION
DRAWN:	P.S	13/08/2014			REV DATE:
PROPRIETARY AND CONFIDENTIAL THE INFORMATION CONTAINED IN THIS DRAWING IS THE SOLE PROPERTY OF SHOWERS & EYEBATHS SERVICES LTD. ANY REPRODUCTION IN PART OR AS A WHOLE WITHOUT THE WRITTEN PERMISSION OF Showers & Eyebaths services LTD IS PROHIBITED.			TOLERANCES: LINEAR: ALL DIMENSIONS ±5mm ANGULAR: ±0.5°	DWG NO. SE-GA-SD370	A3
			DO NOT SCALE DRAWING	SCALE:1:20	SHEET 1 OF 1



SHOWERS & EYEBATHS

Showers & Eyebaths Services Ltd.
 Safety House, 23c Sandwash Close, Rainford
 Industrial Estate, Rainford, Lancashire, WA11 8LY U.K.
 Tel + 44 (0) 1744 889677 Fax +44 (0) 1744 885663
 e-mail: sales@safety-showers.com www.safety-showers.com

