



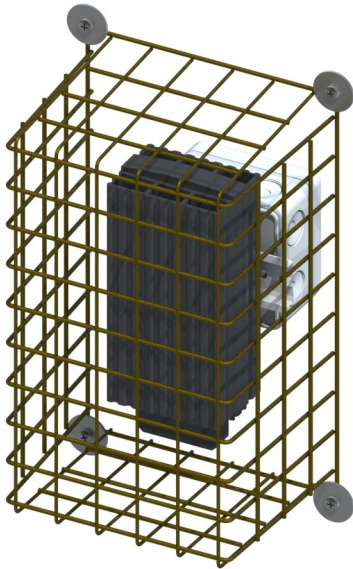
CABINET

Insulated cabinet.



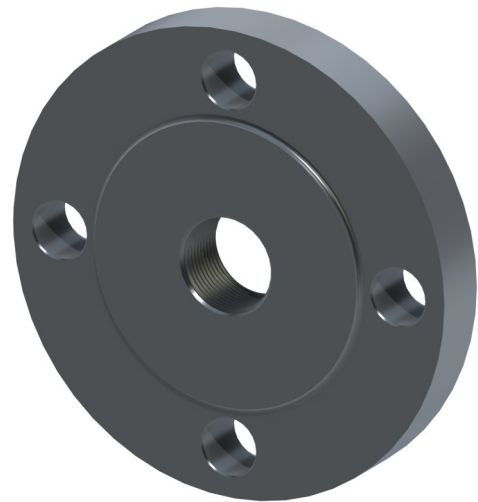
PEDESTAL

Stainless steel frame. Suitable for with or without the cabinet.



AIR HEATER & STAT

Heater 110/240V provides frost protection inside the cabinet..



FLANGED INLET

Various sizes available to suit site requirements and standards.



T: +44(0)1744 889677
F: +44(0)1744 885663
E: info@safety-showers.com

Showers & Eyebaths Services Ltd Safety House, 23c Rainford Industrial Estate, St Helens, Merseyside, WA11 8LY