

ALARM & SIREN

Audible/visual alarm activated when the shower and/or eyebath is being operated. A micro switch is required with this option. Available Non Hazardous, ATEX, CSA & GOST.



LAMP

Fitted internally or externally to illuminate the operating area and draws attention to the safety shower. Available Non Hazardous, ATEX, CSA & GOST.



REMOTE ALARM

Micro switch fitted on operating valve (shower/eyebath) to activate remote alarms (or local if fitted).



TRACE HEATING

Trace heating stat with internal trace heating wire & insulation. Available non hazardous and ATEX.



EYEBATH

Twin nozzled eyebath is manufactured in stainless steel and GRP, and comes on as soon as the lid is lifted.



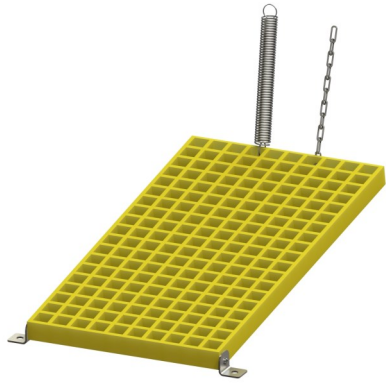
EYEBATH FOOT TREADLE

Stainless Steel foot provides a hands free method of activating the eyebath.



T: +44(0)1744 889677
 F: +44(0)1744 885663
 E: info@safety-showers.com

Showers & Eyebaths Services Ltd Safety House, 23c Rainford Industrial Estate, St Helens, Merseyside, WA11 8LY



SHOWER ACTIVATION PLATFORM

GRP foot panel shower control provides a hands free method of activating the shower.



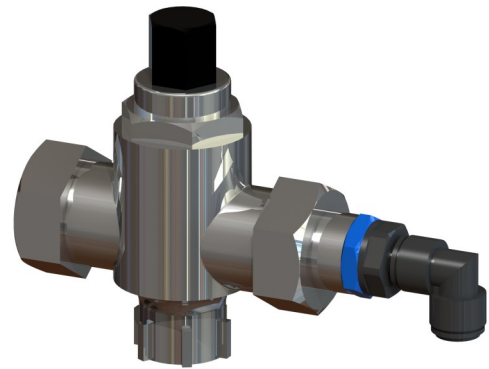
FLEXIBLE EYEWASH

Hand held eye, face and body spray on a flexible hose.



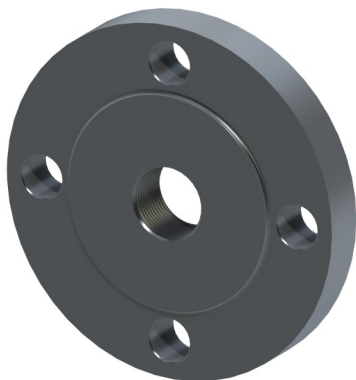
PRESSURE REDUCING VALVE

Brass or Stainless Steel pressure reducing valve to regulate the water supply pressure at 2 - 3 bar (recommended pressure).



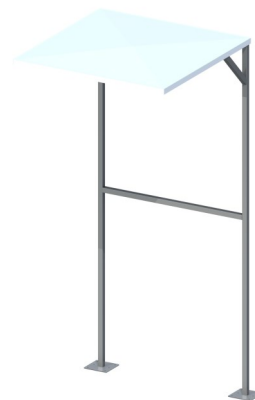
SCALD VALVE

Chrome plated or stainless valve dumps water over 38°C from entering the shower.



FLANGED INLET

Various sizes available to suit site requirements and standards.



SUN CANOPY / SHELTER

Overhead GRP sun canopy to help reduce solar gain. Available with Side & Rear Panels.



T: +44(0)1744 889677
 F: +44(0)1744 885663
 E: info@safety-showers.com

Showers & Eyebaths Services Ltd Safety House, 23c Rainford Industrial Estate, St Helens, Merseyside, WA11 8LY