

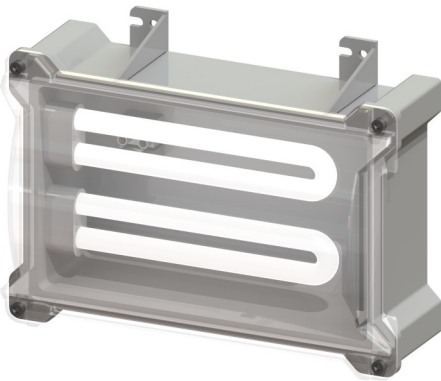
VISUAL WATER LEVEL INDICATOR

Visual indicator fitted on the front of the tank to enable the operator to check the water level inside the tank.



VISUAL WATER TEMPERATURE GAUGE

6" Temperature Gauge with dual scale 0-60°C / 30-140°F.



LAMP

Fitted externally to illuminate the operating area and draws attention to the remote tank. Available Non Hazardous, ATEX, CSA & GOST.



LOW WATER LEVEL ALARM

Low level float switch with separate junction box provides remote alarm when water level gets low. Available Non Hazardous, ATEX or GOST.



SUBMERSIBLE PUMP

Ensuring water supply pressure fed to mains fed showers meets recommended 2 - 3 bar. Available 110v or 240v.



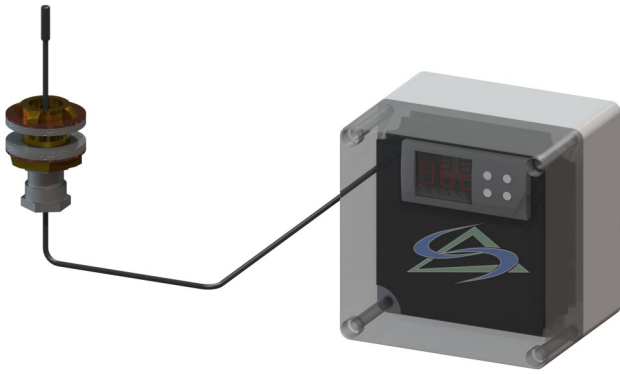
WATER HEATER & STAT

Available as trace heated heater pads or immersion heater to warm water to 18°C. 250w heater pads fitted to bottom of tank with digital stat. Available Non Hazardous, ATEX & CSA.



T: +44(0)1744 889677
 F: +44(0)1744 885663
 E: info@safety-showers.com

Showers & Eyebaths Services Ltd Safety House, 23c Rainford Industrial Estate, St Helens, Merseyside, WA11 8LY



WATER TEMPERATURE ALARM

Low/high temperature alarm with digital display. Low temperature alarm set at 10°C. High temperature alarm set at 23°C.



WATER CHILLER

3Kw Water Chiller (Set to 20°C). Water level switch built within chiller to ensure system turns off if the tank becomes empty.



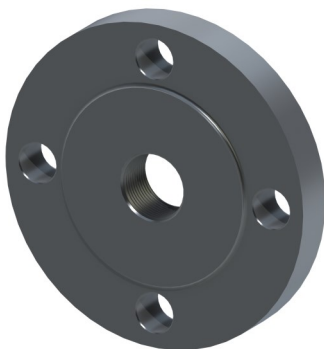
HCLENZ KIT

Provides protection against infestations of pathogenic bacteria such as legionella.



SUN CANOPY

Overhead GRP sun canopy to help reduce solar gain. Canopy features a built in inspection hatch for maintenance purposes.



FLANGED INLET

Various sizes available to suit site requirements and standards.



T: +44(0)1744 889677
 F: +44(0)1744 885663
 E: info@safety-showers.com

Showers & Eyebaths Services Ltd Safety House, 23c Rainford Industrial Estate, St Helens, Merseyside, WA11 8LY