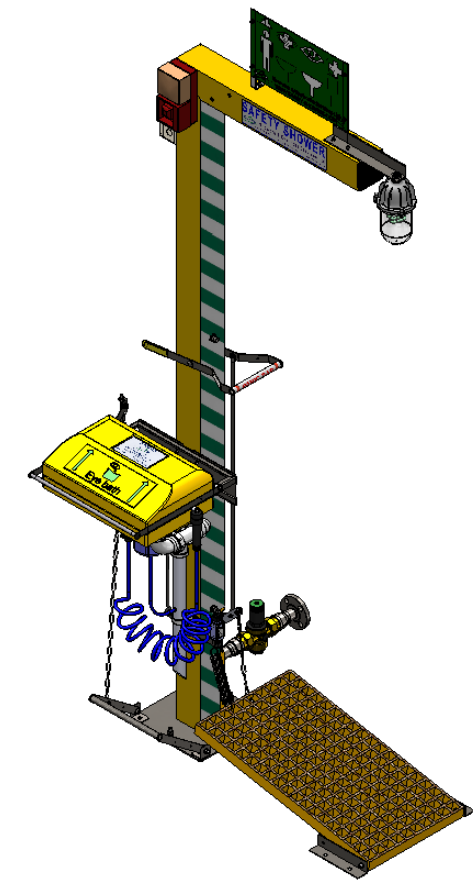
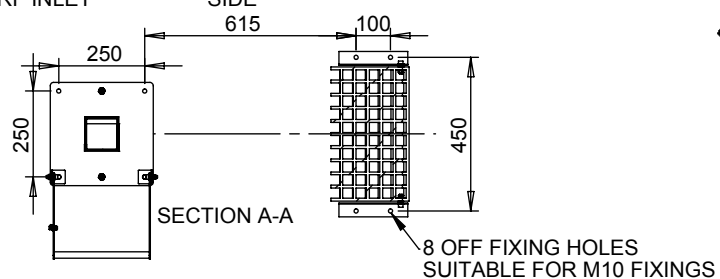
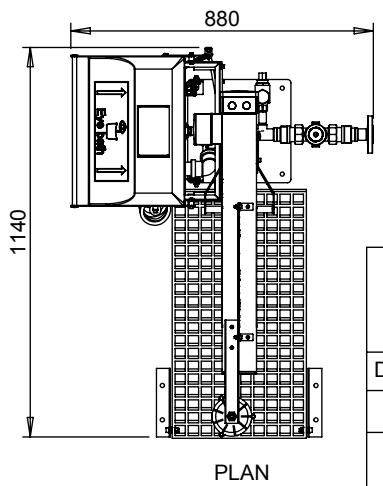


FS3F- 3 NOZZLES  
FS1R- 1 OVERHEAD ROSE



Shower suitable for use with 1-7 Bar  
Recommended water inlet pressure 2 Bar  
Inlet pipe work to be sized at a minimum of 1" NB  
to supply 75LPM as per ANSI Z358. 12004

Manufactured from GRP Yellow outer case, ABS pipe work and stainless steel which are corrosion resistant materials, giving superior strength; a long life, and suitability for outside use. Designed to be highly visible for ease of identification and work first time every time. These units are self draining and therefore can not overheat or freeze. Ideal for any environment



Description : FREE STANDINGSHOWER WITH EYEBATH				
Date 28/10/2009	Rev Date 29/10/2009	Drg No. GFS3FM-GEB2MT-L-AS-P-1"F-PRV-S		
A4	Scale 1:22	Weight 40.73Kg	Do not scale drawing	Rev 1

**PROPRIETARY AND CONFIDENTIAL**  
THE INFORMATION CONTAINED IN THIS DRAWING IS THE SOLE PROPERTY OF SHOWERS & EYEBATHS SERVICES LTD. ANY REPRODUCTION IN PART OR AS A WHOLE WITHOUT THE WRITTEN PERMISSION OF Showers & Eyebaths services LTD IS PROHIBITED.  
Doc No. F 14 (A0)/Issue No. 1/Issue Date. 01/06/2007

**SHOWERS & EYEBATHS**



[www.safety-showers.com](http://www.safety-showers.com)  
Tel +44(0)1744889677 Fax +44(0)1744885663



Certificate No. 6974